

MANDATORY EXPLOSIVE STOWAGE PLAN*
REFERENCE: 49 CFRs PART 176, SUBSECTION G (176.100-176.164)



**IT IS VITAL THAT
EXPLOSIVES BE STOWED AS
SHOWN!**

**ALL EXPLOSIVE MAGAZINES
MUST BE SECURED TO
PREVENT MOVEMENT!**

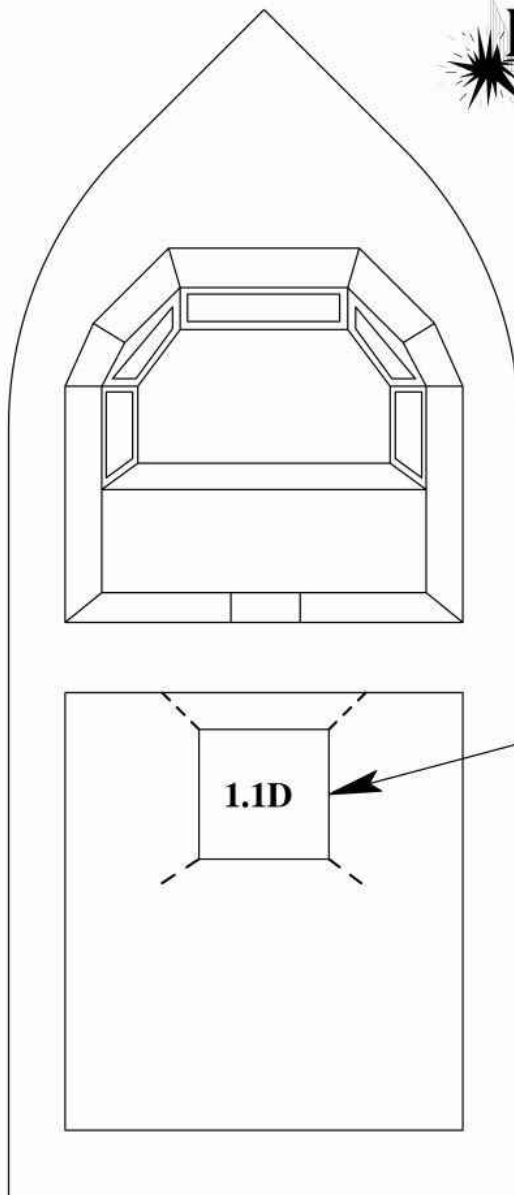
**CONSULT CFR AND NOTIFY
DEMEX WHEN
TRANSPORTING OTHER
HAZARDOUS MATERIALS
WITH EXPLOSIVES.**

**FAILURE TO COMPLY WITH
THESE U.S. LAWS WILL
RESULT IN LARGE FINES
AND DENIAL TO DOCK.**

**SHIP WILL HAVE TO
RETURN TO ORIGATION
POINT AND BE RESTOWED
PROPERLY BEFORE BEING
ALLOWED INTO PORT.**

**IF IN DOUBT, CONSULT
SPECIFIC 49 CFR.....**

**SPECIFIC POSITIONING OF MAGAZINE
MAY VARY AS LONG AS
REQUIREMENTS OF 49 CFR ARE MET
AS PERTAINS TO LOCATION WITH
RESPECT TO HATCHES, VENTS, ETC.**



**SECURED TO
DECK**

DEMEX EXPLOSIVE PRODUCTS & SERVICES

**HOUSTON, TX
P: 281.246.4738
C: 281.433.1819**

**7144 DUMMYLINE ROAD
PICAYUNE MS 39466
P: 228.255.7584
F: 228.255.7588**

24 HOUR EMERGENCY PHONE NUMBER: CHEMTREC 800.424.9300

MANDATORY EXPLOSIVE STOWAGE PLAN*
REFERENCE: 49 CFRs PART 176, SUBSECTION G (176.100-176.164)



IT IS VITAL THAT EXPLOSIVES OF DIFFERENT CLASSES BE STOWED AS SHOWN!

ALL EXPLOSIVE MAGAZINES MUST BE SECURED TO PREVENT MOVEMENT!

CONSULT CFR AND NOTIFY DEMEX WHEN TRANSPORTING OTHER HAZARDOUS MATERIALS WITH EXPLOSIVES.

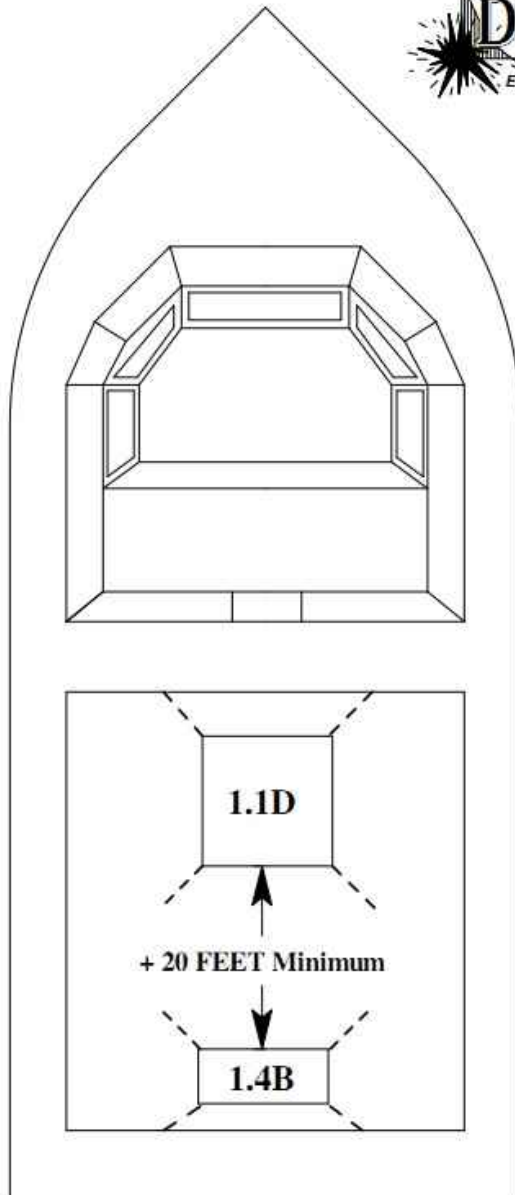
FAILURE TO COMPLY WITH THESE U.S. LAWS WILL RESULT IN LARGE FINES AND DENIAL TO DOCK.

SHIP WILL HAVE TO RETURN TO ORIGATION POINT AND BE RESTOWED PROPERLY BEFORE BEING ALLOWED INTO PORT.

IF IN DOUBT, CONSULT SPECIFIC 49 CFR.....

*** THIS PLAN IS INTENDED TO SHOW SEPERATION OF COMPATIBILITY GROUPS "B" AND "D" EXPLOSIVES.**

SPECIFIC POSITIONING OF MAGAZINES MAY VARY AS LONG AS SEPERATION DISTANCE IS MAINTAINED AND OTHER REQUIREMENTS OF 49 CFR ARE MET AS PERTAINS TO LOCATION WITH RESPECT TO HATCHES, VENTS, ETC.



SECURED TO DECK!!

DEMEX EXPLOSIVE PRODUCTS & SERVICES

**HOUSTON, TX
P: 281.246.4738
C: 281.433.1819**

**7144 DUMMYLINE ROAD
PICAYUNE MS 39466
P: 228.255.7584
F: 228.255.7588**

24 HOUR EMERGENCY PHONE NUMBER: CHEMTREC 800.424.9300

MANDATORY EXPLOSIVE STOWAGE PLAN*
REFERENCE: 49 CFRs PART 176, SUBSECTION G (176.100-176.164)



IT IS VITAL THAT EXPLOSIVES OF DIFFERENT CLASSES BE STOWED AS SHOWN!

ALL EXPLOSIVE MAGAZINES MUST BE SECURED TO PREVENT MOVEMENT!

CONSULT CFR AND NOTIFY DEMEX WHEN TRANSPORTING OTHER HAZARDOUS MATERIALS WITH EXPLOSIVES.

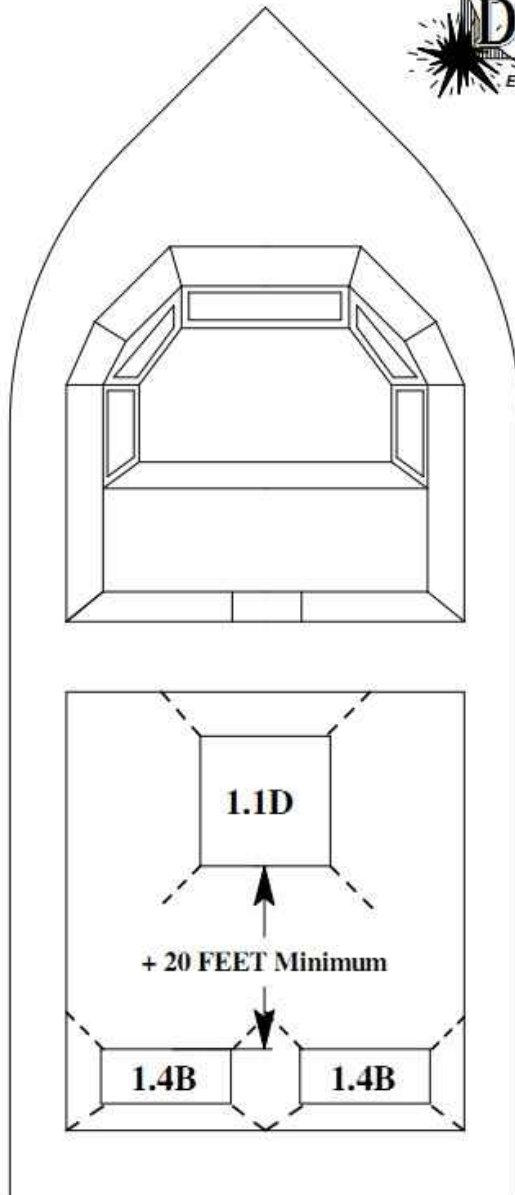
FAILURE TO COMPLY WITH THESE U.S. LAWS WILL RESULT IN LARGE FINES AND DENIAL TO DOCK.

SHIP WILL HAVE TO RETURN TO ORIGATION POINT AND BE RESTOWED PROPERLY BEFORE BEING ALLOWED INTO PORT.

IF IN DOUBT, CONSULT SPECIFIC 49 CFR.....

*** THIS PLAN IS INTENDED TO SHOW SEPERATION OF COMPATIBILITY GROUPS "B" AND "D" EXPLOSIVES.**

SPECIFIC POSITIONING OF MAGAZINES MAY VARY AS LONG AS SEPERATION DISTANCE IS MAINTAINED AND OTHER REQUIREMENTS OF 49 CFR ARE MET AS PERTAINS TO LOCATION WITH RESPECT TO HATCHES, VENTS, ETC.



SECURED TO DECK!!

DEMEX EXPLOSIVE PRODUCTS & SERVICES

**HOUSTON, TX
P: 281.246.4738
C: 281.433.1819**

**7144 DUMMYLINE ROAD
PICAYUNE MS 39466
P: 228.255.7584
F: 228.255.7588**

24 HOUR EMERGENCY PHONE NUMBER: CHEMTREC 800.424.9300

MANDATORY EXPLOSIVE STOWAGE PLAN*
REFERENCE: 49 CFRs PART 176, SUBSECTION G (176.100-176.164)



**IT IS VITAL THAT
EXPLOSIVES OF DIFFERENT
CLASSES BE STOWED AS
SHOWN!**

**ALL EXPLOSIVE MAGAZINES
MUST BE SECURED TO
PREVENT MOVEMENT!**

**CONSULT CFR AND NOTIFY
DEMEX WHEN
TRANSPORTING OTHER
HAZARDOUS MATERIALS
WITH EXPLOSIVES.**

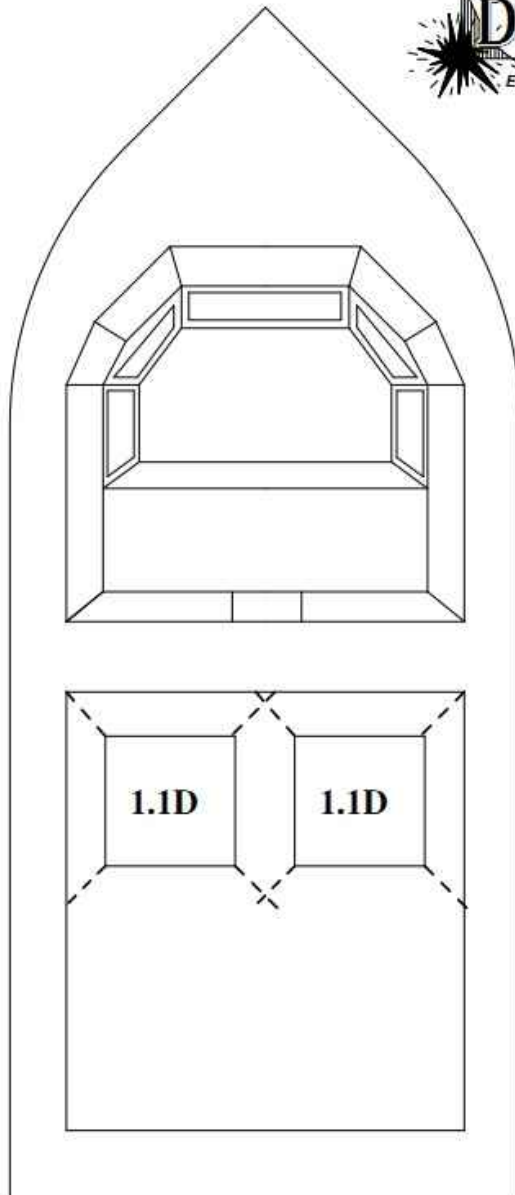
**FAILURE TO COMPLY WITH
THESE U.S. LAWS WILL
RESULT IN LARGE FINES
AND DENIAL TO DOCK.**

**SHIP WILL HAVE TO
RETURN TO ORIGATION
POINT AND BE RESTOWED
PROPERLY BEFORE BEING
ALLOWED INTO PORT.**

**IF IN DOUBT, CONSULT
SPECIFIC 49 CFR.....**

*** THIS PLAN IS INTENDED TO SHOW
SEPERATION OF COMPATIBILITY
GROUPS "B" AND "D" EXPLOSIVES.**

**SPECIFIC POSITIONING OF
MAGAZINES MAY VARY AS LONG AS
SEPERATION DISTANCE IS
MAINTAINED AND OTHER
REQUIREMENTS OF 49 CFR ARE MET
AS PERTAINS TO LOCATION WITH
RESPECT TO HATCHES, VENTS, ETC.**



**SECURED TO
DECK!!**

DEMEX EXPLOSIVE PRODUCTS & SERVICES

**HOUSTON, TX
P: 281.246.4738
C: 281.433.1819**

**7144 DUMMYLINE ROAD
PICAYUNE MS 39466
P: 228.255.7584
F: 228.255.7588**

24 HOUR EMERGENCY PHONE NUMBER: CHEMTREC 800.424.9300

MANDATORY EXPLOSIVE STOWAGE PLAN*
REFERENCE: 49 CFRs PART 176, SUBSECTION G (176.100-176.164)



IT IS VITAL THAT EXPLOSIVES OF DIFFERENT CLASSES BE STOWED AS SHOWN!

ALL EXPLOSIVE MAGAZINES MUST BE SECURED TO PREVENT MOVEMENT!

CONSULT CFR AND NOTIFY DEMEX WHEN TRANSPORTING OTHER HAZARDOUS MATERIALS WITH EXPLOSIVES.

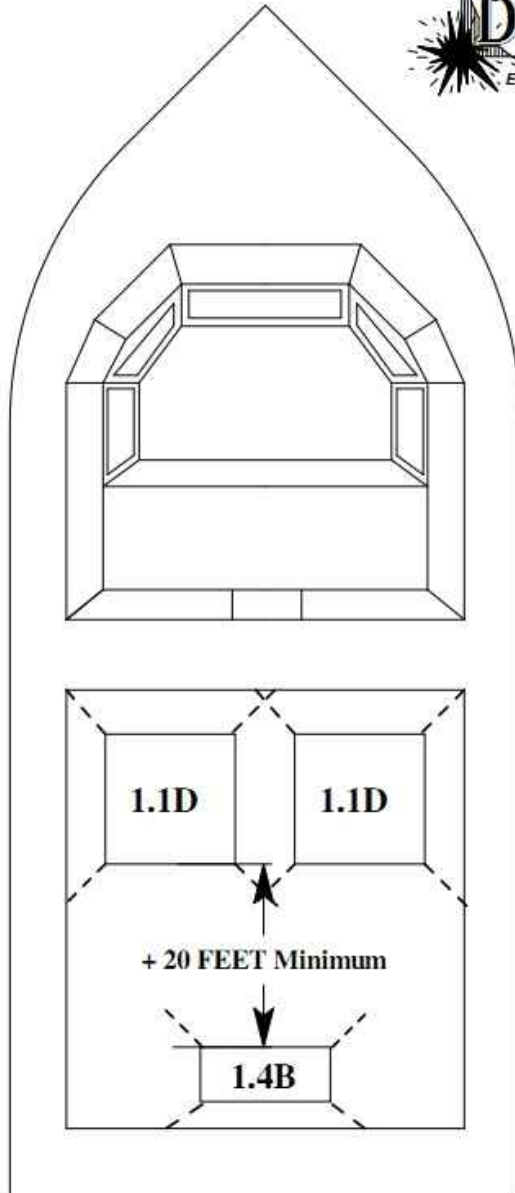
FAILURE TO COMPLY WITH THESE U.S. LAWS WILL RESULT IN LARGE FINES AND DENIAL TO DOCK.

SHIP WILL HAVE TO RETURN TO ORIGATION POINT AND BE RESTOWED PROPERLY BEFORE BEING ALLOWED INTO PORT.

IF IN DOUBT, CONSULT SPECIFIC 49 CFR.....

*** THIS PLAN IS INTENDED TO SHOW SEPERATION OF COMPATIBILITY GROUPS "B" AND "D" EXPLOSIVES.**

SPECIFIC POSITIONING OF MAGAZINES MAY VARY AS LONG AS SEPERATION DISTANCE IS MAINTAINED AND OTHER REQUIREMENTS OF 49 CFR ARE MET AS PERTAINS TO LOCATION WITH RESPECT TO HATCHES, VENTS, ETC.



SECURED TO DECK!!

DEMEX EXPLOSIVE PRODUCTS & SERVICES

**HOUSTON, TX
P: 281.246.4738
C: 281.433.1819**

**7144 DUMMYLINE ROAD
PICAYUNE MS 39466
P: 228.255.7584
F: 228.255.7588**

24 HOUR EMERGENCY PHONE NUMBER: CHEMTREC 800.424.9300

MANDATORY EXPLOSIVE STOWAGE PLAN*
REFERENCE: 49 CFRs PART 176, SUBSECTION G (176.100-176.164)



IT IS VITAL THAT EXPLOSIVES OF DIFFERENT CLASSES BE STOWED AS SHOWN!

ALL EXPLOSIVE MAGAZINES MUST BE SECURED TO PREVENT MOVEMENT!

CONSULT CFR AND NOTIFY DEMEX WHEN TRANSPORTING OTHER HAZARDOUS MATERIALS WITH EXPLOSIVES.

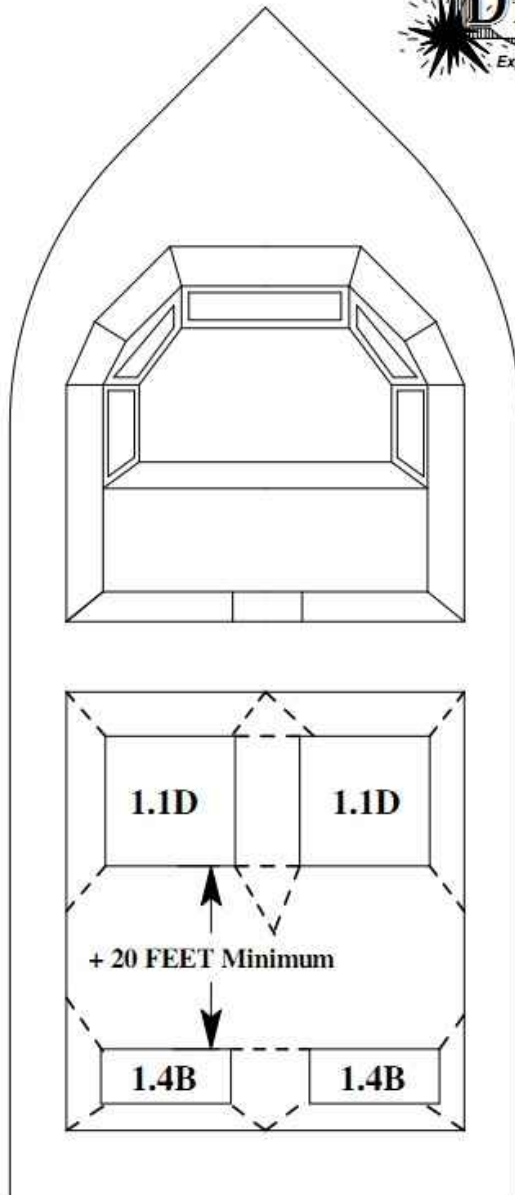
FAILURE TO COMPLY WITH THESE U.S. LAWS WILL RESULT IN LARGE FINES AND DENIAL TO DOCK.

SHIP WILL HAVE TO RETURN TO ORIGATION POINT AND BE RESTOWED PROPERLY BEFORE BEING ALLOWED INTO PORT.

IF IN DOUBT, CONSULT SPECIFIC 49 CFR.....

*** THIS PLAN IS INTENDED TO SHOW SEPERATION OF COMPATIBILITY GROUPS "B" AND "D" EXPLOSIVES.**

SPECIFIC POSITIONING OF MAGAZINES MAY VARY AS LONG AS SEPERATION DISTANCE IS MAINTAINED AND OTHER REQUIREMENTS OF 49 CFR ARE MET AS PERTAINS TO LOCATION WITH RESPECT TO HATCHES, VENTS, ETC.



SECURED TO DECK!!

DEMEX EXPLOSIVE PRODUCTS & SERVICES

**HOUSTON, TX
P: 281.246.4738
C: 281.433.1819**

7144 DUMMYLINE ROAD
PICAYUNE MS 39466
P: 228.255.7584
F: 228.255.7588

24 HOUR EMERGENCY PHONE NUMBER: CHEMTREC 800.424.9300

MANDATORY EXPLOSIVE STOWAGE PLAN*
REFERENCE: 49 CFRs PART 176, SUBSECTION G (176.100-176.164)



IT IS VITAL THAT EXPLOSIVES OF DIFFERENT CLASSES BE STOWED AS SHOWN!

ALL EXPLOSIVE MAGAZINES MUST BE SECURED TO PREVENT MOVEMENT!

CONSULT CFR AND NOTIFY DEMEX WHEN TRANSPORTING OTHER HAZARDOUS MATERIALS WITH EXPLOSIVES.

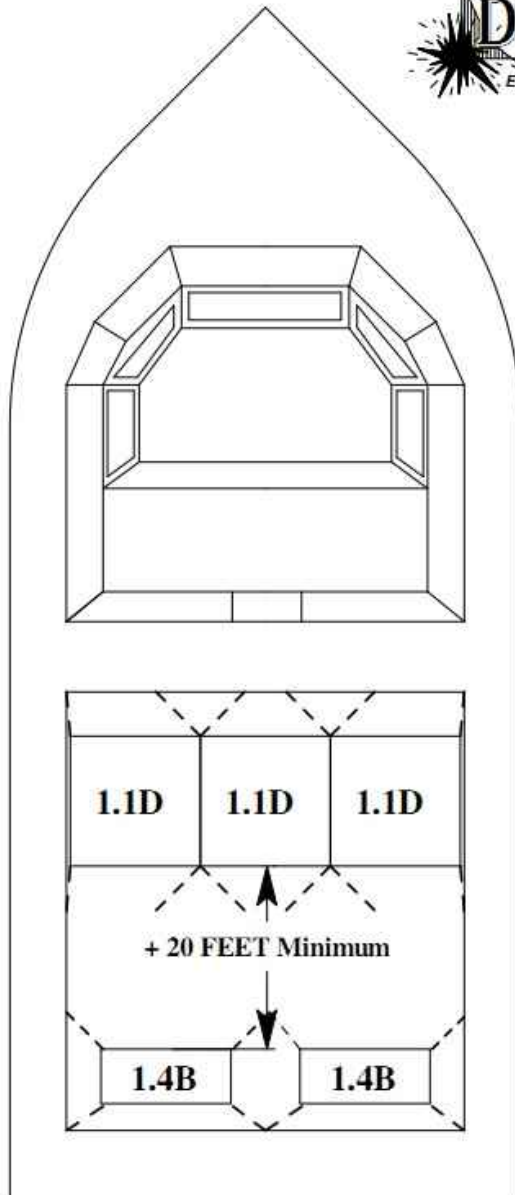
FAILURE TO COMPLY WITH THESE U.S. LAWS WILL RESULT IN LARGE FINES AND DENIAL TO DOCK.

SHIP WILL HAVE TO RETURN TO ORIGATION POINT AND BE RESTOWED PROPERLY BEFORE BEING ALLOWED INTO PORT.

IF IN DOUBT, CONSULT SPECIFIC 49 CFR.....

*** THIS PLAN IS INTENDED TO SHOW SEPERATION OF COMPATIBILITY GROUPS "B" AND "D" EXPLOSIVES.**

SPECIFIC POSITIONING OF MAGAZINES MAY VARY AS LONG AS SEPERATION DISTANCE IS MAINTAINED AND OTHER REQUIREMENTS OF 49 CFR ARE MET AS PERTAINS TO LOCATION WITH RESPECT TO HATCHES, VENTS, ETC.



SECURED TO DECK!!

DEMEX EXPLOSIVE PRODUCTS & SERVICES

**HOUSTON, TX
P: 281.246.4738
C: 281.433.1819**

**7144 DUMMYLINE ROAD
PICAYUNE MS 39466
P: 228.255.7584
F: 228.255.7588**

24 HOUR EMERGENCY PHONE NUMBER: CHEMTREC 800.424.9300